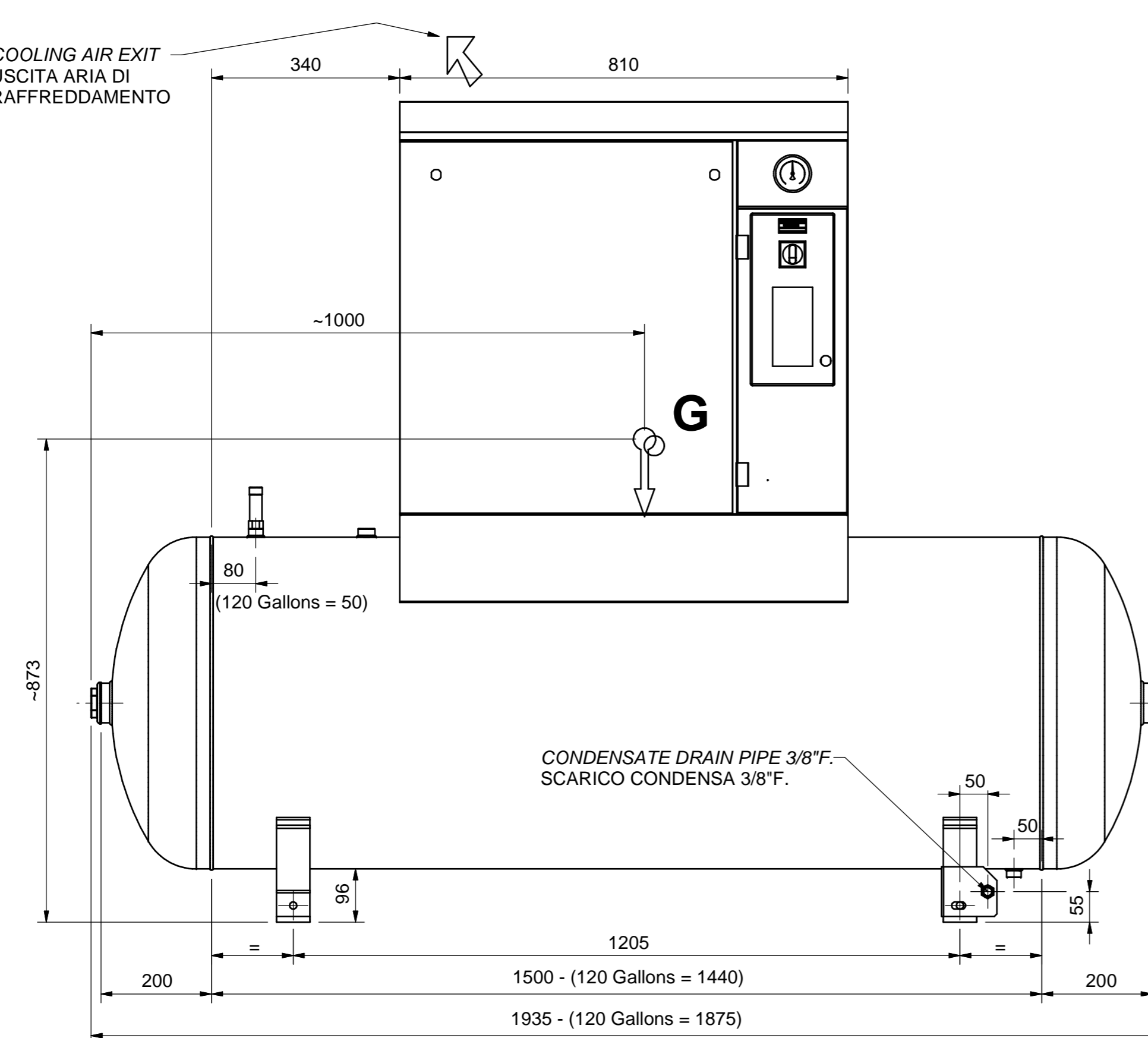
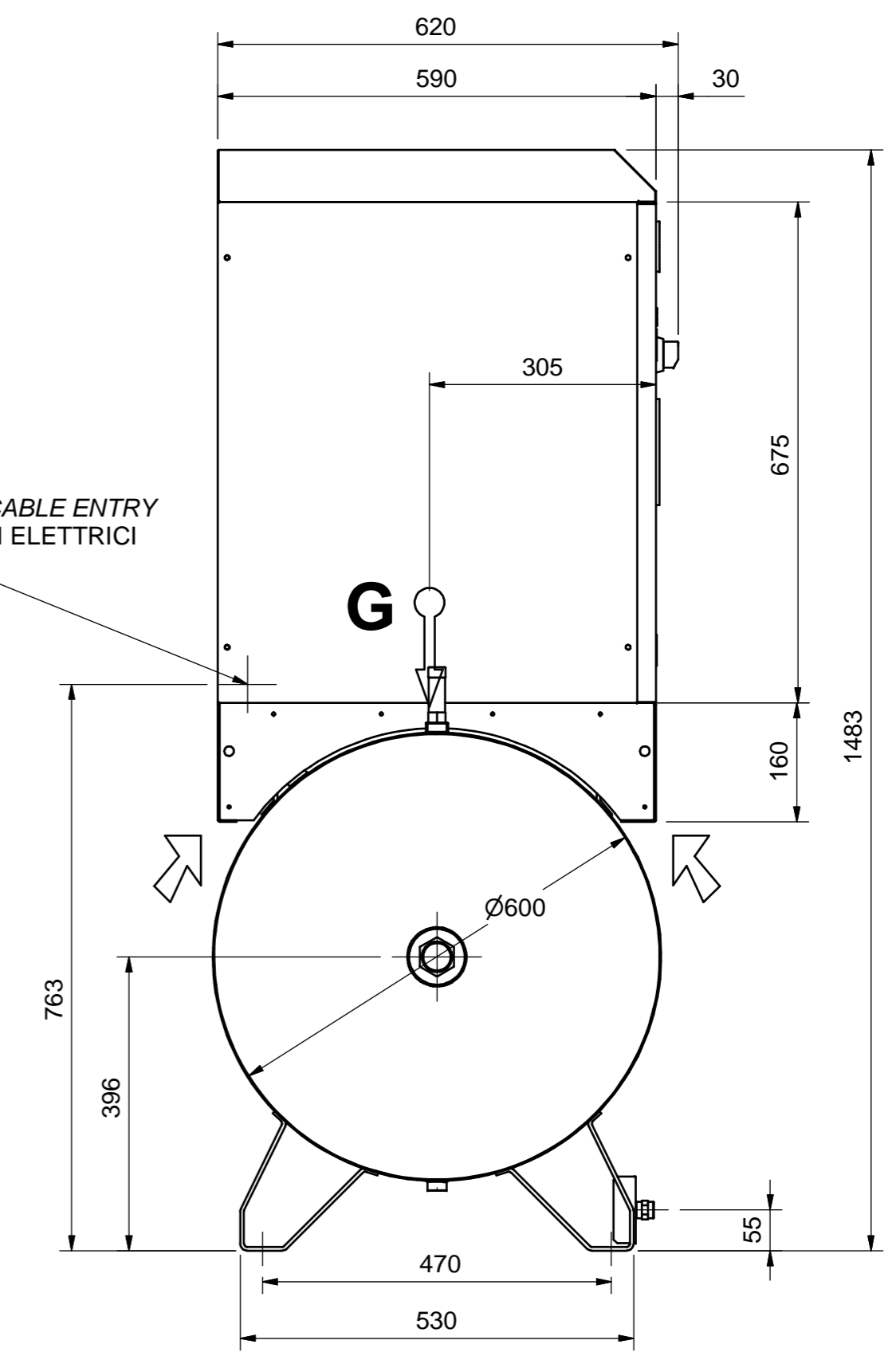


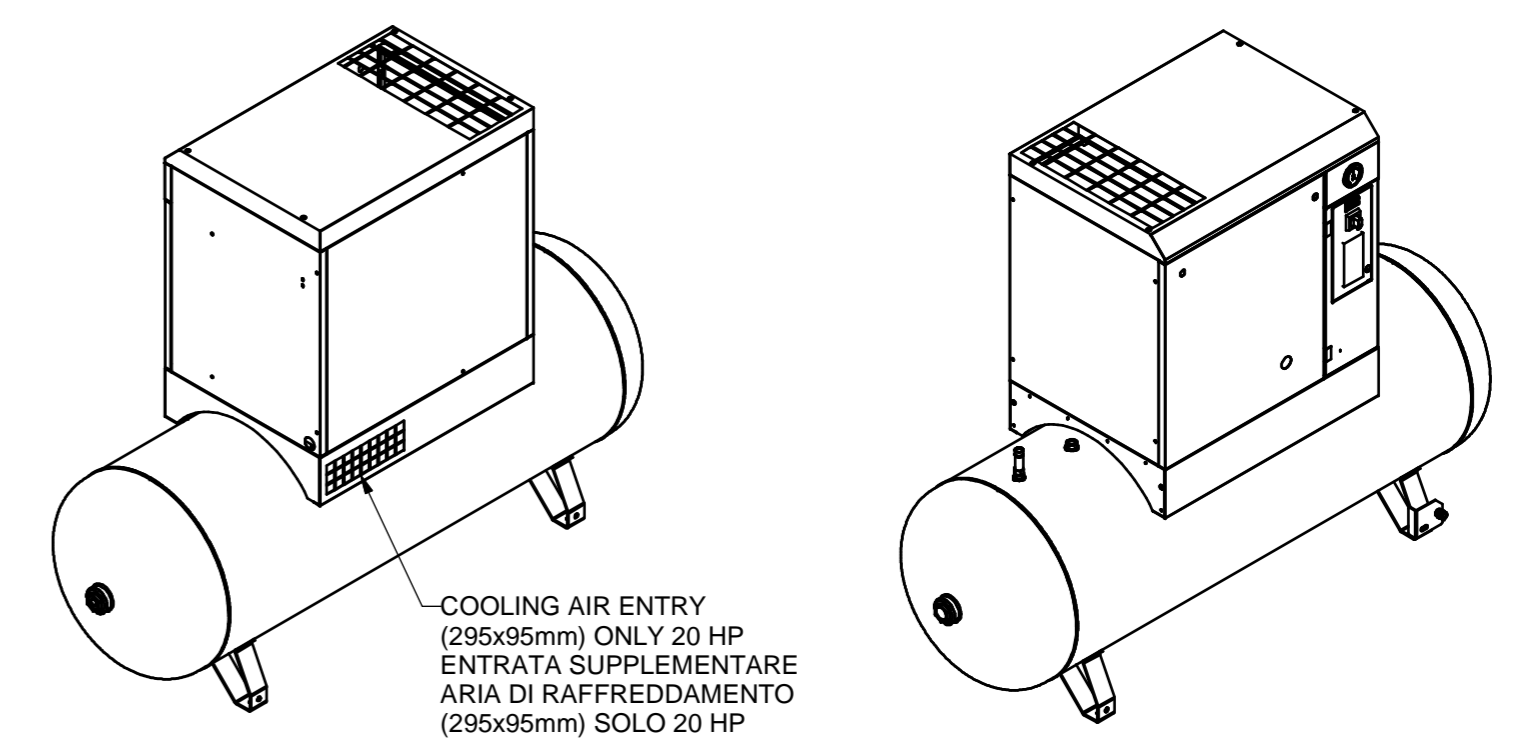
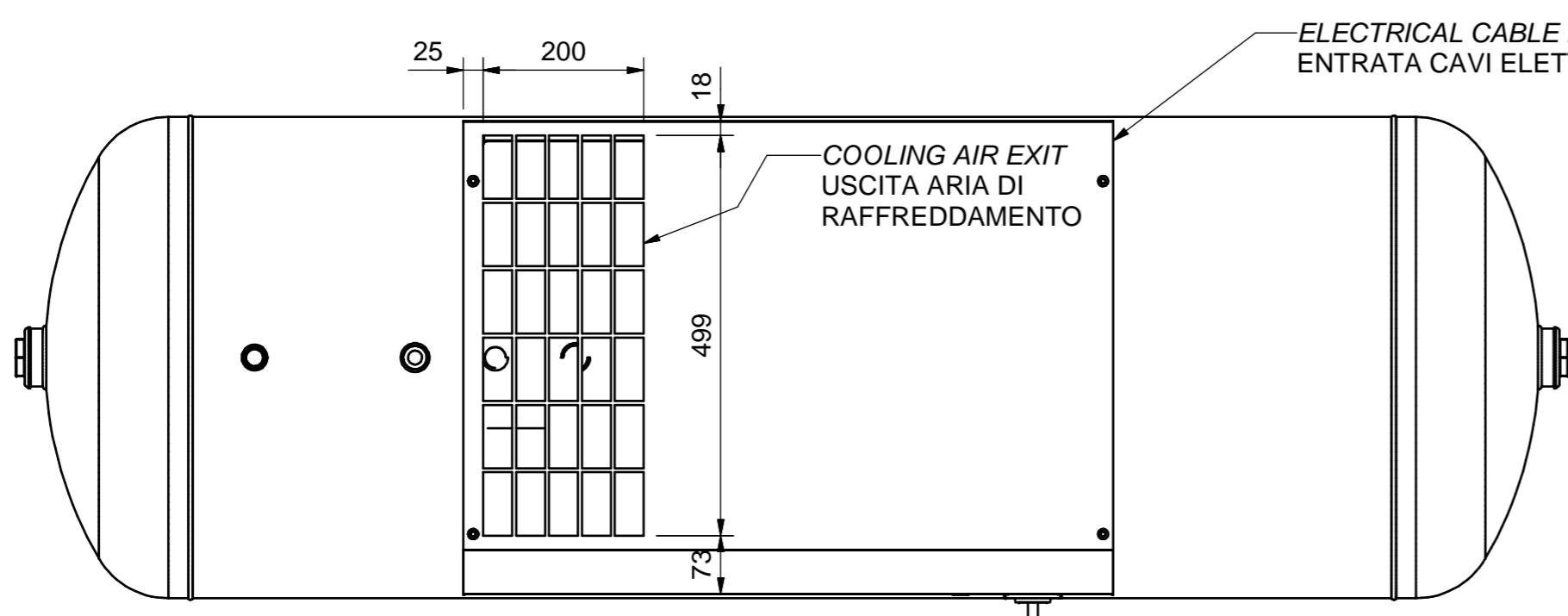
COOLING AIR EXIT
USCITA ARIA DI
RAFFREDDAMENTO



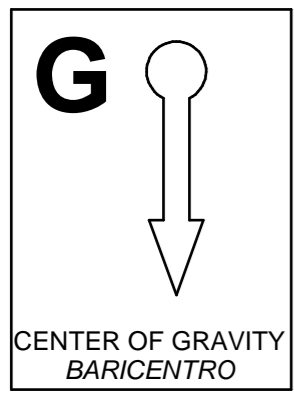
ELECTRICAL CABLE ENTRY
ENTRATA CAVI ELETTRICI



ELECTRICAL CABLE ENTRY
ENTRATA CAVI ELETTRICI



All materials supplied are in compliance with the requirements of the List of Prohibited Substances

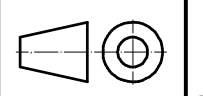


CONFIDENTIAL: This document is our property and shall not without our permission be altered, copied, used for manufacturing or communicated to any other person or company.

00 ISSUED CID23668/11-03-09. DN090544 08.				
01		"G" ADDED. CID23668/02-10-09. DN09 0544	2009-10-06	
Ed	Position	Gewijzigd van Modified from	Datum Date	Ingev./Goedg Intr./Appd.

2202923400	00.00
Parent 3D model	Ed. Version 3D

Tolerances, if not indicated, according to:									
Name		DIMENS. DRWG			OVERALL DIM.C55 SL 500L			Secrecy Class	
Material		NOT APPLICABLE			ES99			1102 K / 2	
Treatment		Not Applicable						INV	
Scale		1:8		Family		C55, MAXI		A2/Compare	
Drawn by		asavio ,		Blank nr.				Replaces	
Version Drwg		00.03		Blank wt		0 Kg		Fini wt. 0.0 Kg	
Des checked.		Prod checked.		Approved.		Date		2009-03-03	
STATUS		Approved			Designation		Sheet 1 / 1		
2202923400									



Drawing owner
CAI